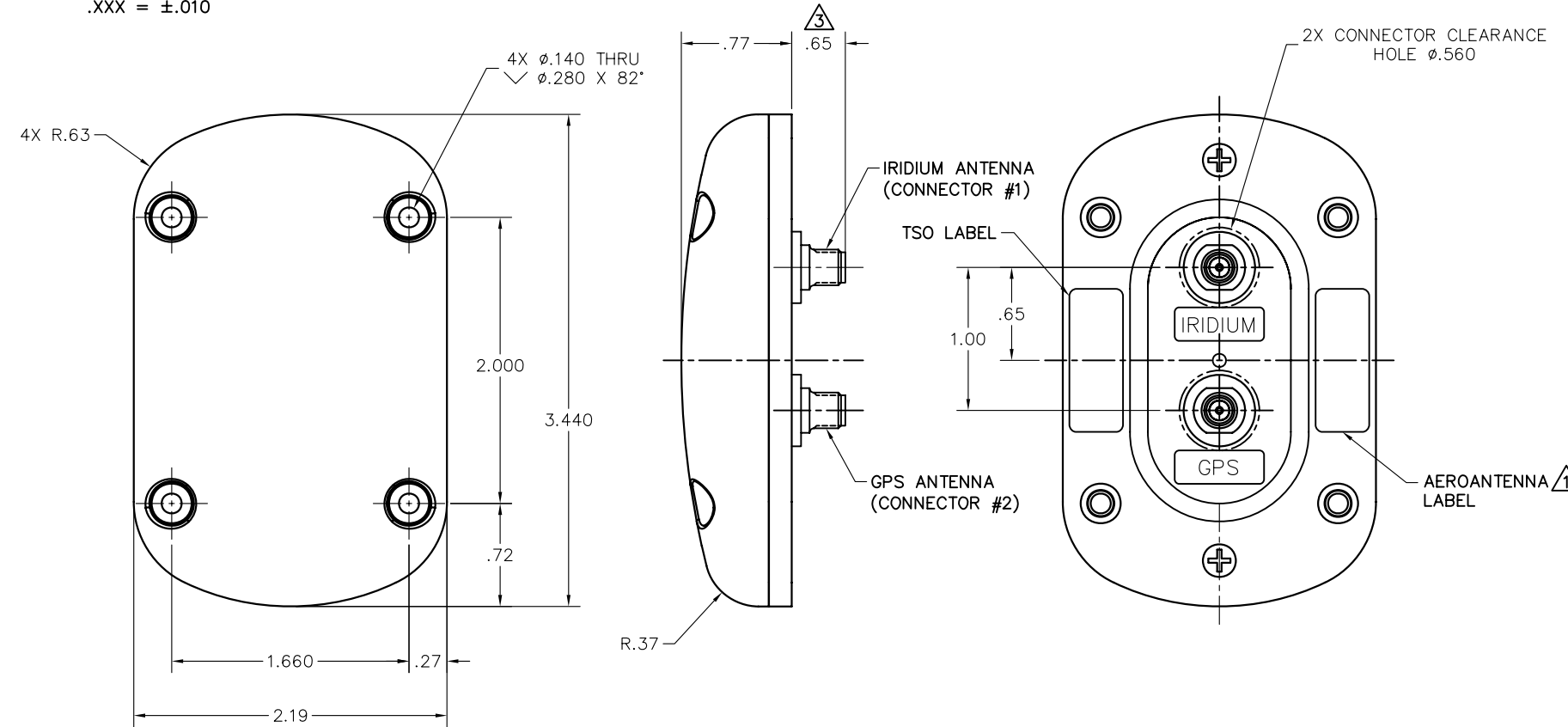


PROPRIETARY NOTICE: This document contains proprietary information of AAT Inc. neither the document nor said proprietary information shall be published, reproduced, copied, disclosed or used for any purpose other than consideration of this document without the express written permission of a duly authorized representative of said Company.

REVISIONS			
SYM	DESCRIPTION	DATE	APPROVED
C	UPDATE PER ECO 8326	07/21/08	

NOTES: UNLESS OTHERWISE SPECIFIED.

- 1. SIZE, SHAPE, AND CONTENTS OF NAME PLATE ARE SUBJECT TO CHANGE WITHOUT NOTICE.
- 2. MOUNTING SCREWS AND O-RING SUPPLIED BY AEROANTENNA.
- 3. DIMENSIONS FOR SMAF CONNECTOR.
- 4. DIMENSIONS FOR TNCF CONNECTOR.
- 5. TOLERANCE: .XX = ±.03
.XXX = ±.010



SPECIFICATION:

FREQUENCY: 1621 ±5 MHz
1575 ±5 MHz

POLARIZATION: RIGHT HAND CIRCULAR

AXIAL RATIO: 3 dB MAX

RADIATION COVERAGE: **IRIDIUM**
ELEVATION ANGLE: 0°<θ<10° GAIN: -2.5 dBic min
10°<θ<90° 0 dBic min

GPS
ELEVATION ANGLE: 0°<θ<10° GAIN: -7.5 dBic min
10°<θ<20° -5.5 dBic min
20°<θ<30° -3.5 dBic min
θ>30° -2.5 dBic min

AMPLIFIER: IRIDIUM: PASSIVE
GAIN: GPS L1: 26 dB (35 mA)

VOLTAGE: IRIDIUM: PASSIVE
GPS L1: 3 VDC

NOISE FIGURE: 2.5 dB MAX

IMPEDANCE: 50 OHMS

VSWR: ≤2.0:1

POWER HANDLING: 10 WATTS

CONNECTOR: SPECIFY

WEIGHT: 4.50 OZ.

ALTITUDE: 55,000'

OPERATING TEMP: -55°C TO +85°C

DESIGNED TO: DO-160E
ENV CAT: F2-ABB[S(CLMY)U(FF1)]XSFDZSXXXXPX[A3][2A]CX
C-144

TSO:



PART NO. DESIGNATION:
AT1621-62XXX-XXXX-XXXX-XXX-XX-XX-XX

CUSTOMER ID (IF APPLICABLE) _____

COLOR _____

W = WHITE
B = BLACK
O = OLIVE DRAB

CONNECTOR #1 _____

SMAF = SMA FEMALE
TNCF = TNC FEMALE

MAGNET
NM = NO MAGNET

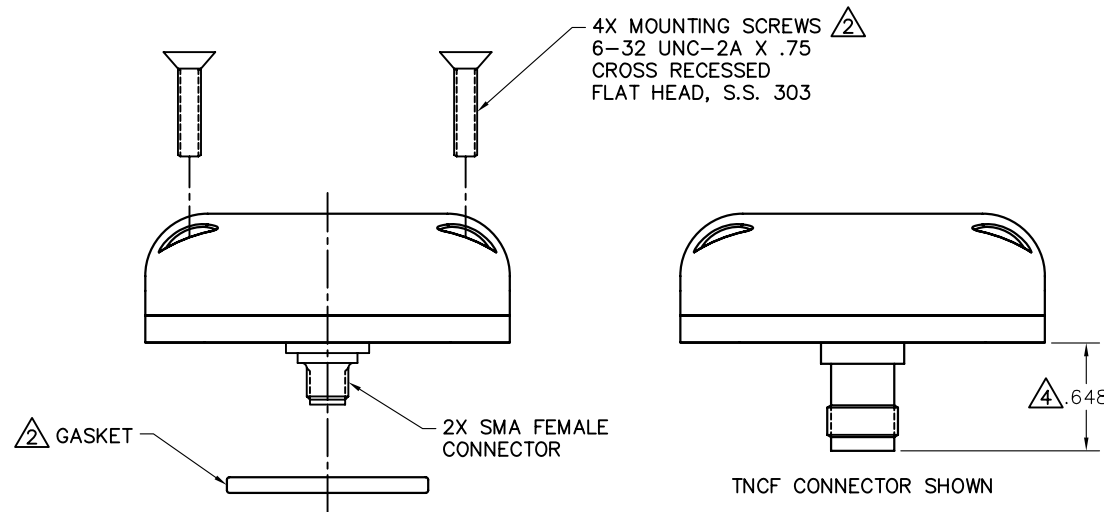
GAIN (± 2 dB)
26 = 26 dB (35 mA)

VOLTAGE
03 = 3 VDC

CABLE LENGTH
* 000 = IN INCHES

CONNECTOR #2
SMAF = SMA FEMALE
TNCF = TNC FEMALE

* = OPTION NOT AVAILABLE WITH THIS MODEL
STANDARD MODEL = AT1621-62W-SMAF-SMAF-000-03-26-NM



DO NOT SCALE THIS DRAWING	DRAWN	E. ZELAYA	05/24/06
REMOVE BURRS AND BREAK SHARP EDGES:	CHECKED		
PART TO BE CLEAN AND OIL FREE	ENGR	T. JEENSALUTE	05/25/06
ALL DIMENSIONS ARE IN INCHES	MFG	D. LEVY	05/26/06
DIMENSIONING & TOLERANCING PER ASME Y14.5M-1994	Q.A.	B. RUBENI	05/25/06
TOLERANCES:	APPROVED	G. SHAR	05/25/06
XX ±.01 FRACT = ±1/32	DRAWN IN	MCAD	
XXX ±.005 ANG. = ±1/2°			
✓ SURFACE ROUGHNESS MACHINED PARTS V63 MOLDED PARTS V32			
HOLE DIA.	TOLERANCE		
.0135 - .125	+0.04 -0.01		
.126 - .250	+0.05 -0.01		
.251 - .500	+0.06 -0.01		
.501 - .750	+0.08 -0.01		

AeroAntenna Technology Inc
AS9100 CERTIFIED CO.

TITLE: IRIDIUM/GPS L1 ANTENNA

SIZE: B CAGE CODE: OUVG2 DRAWING NO.: AT1621-62 REV: C

SCALE: NONE I:\CAD\AT1621\62\AT1621-62_C SHEET 1 OF 1

AT1621-62

C

B

A

