

## DOCKING STATION DOCKINGSTATION ESTACIÓN DE CONEXIÓN STATION D'ACCUEIL DOCKING STATION **BC-247**

Thank you for choosing this Icom product.  
**READ ALL INSTRUCTIONS** carefully and completely before using this product.

### EXPLICIT DEFINITIONS

WORD	DEFINITION
<b>⚠ DANGER!</b>	Personal death, serious injury or an explosion may occur.
<b>⚠ WARNING!</b>	Personal injury, fire hazard or electric shock may occur.
<b>CAUTION</b>	Equipment damage may occur.
<b>NOTE</b>	If disregarded, inconvenience only. No risk of personal injury, fire or electric shock.

Icom is not responsible for the destruction, damage to, or performance of any Icom or non-Icom equipment, if the malfunction is because of:

- Force majeure, including, but not limited to, fires, earthquakes, storms, floods, lightning, other natural disasters, disturbances, riots, war, or radioactive contamination.
- The use of Icom chargers with any equipment that is not manufactured or approved by Icom.

Icom, Icom Inc. and the Icom logo are registered trademarks of Icom Incorporated (Japan) in Japan, the United States, the United Kingdom, Germany, France, Spain, Russia, Australia, New Zealand, and/or other countries.

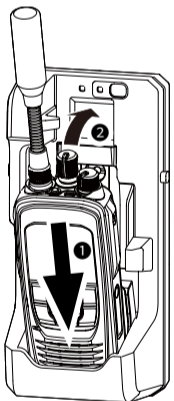
**Icom Inc.** **Count on us!**  
1-1-32 Kamiminami, Hirano-ku, Osaka 547-0003, Japan  
Oct. 2019

A7551W-1EX  
Printed in Japan  
© 2019 Icom Inc.

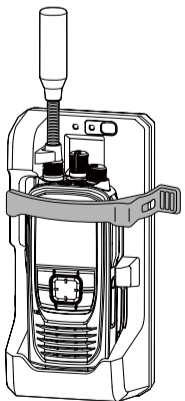
### HOW TO CHARGE

#### ◇ Inserting/Removing the transceiver

- Inserting:**
1. Insert the transceiver to the holder (❶).
  2. Push in the transceiver as shown below (❷).



3. Secure the transceiver using the rubberband, if necessary.  
❶ The rubberband is not usable when you charging the battery pack without the transceiver.



## ENGLISH

### PRECAUTIONS

**⚠ DANGER! NEVER** charge non-Icom Li-ion rechargeable batteries. Never charge or use an alkaline, dry cell, third-party, or counterfeit battery packs or charger adapter. Otherwise, a fire and/or explosion may occur.

**⚠ DANGER! NEVER** place battery packs near a fire. Fire or heat may cause them to rupture or explode. Dispose of used battery packs in accordance with local regulations.

**⚠ WARNING! NEVER** charge the transceiver during a lightning storm. It may result in an electric shock, cause a fire or damage the transceiver. Always disconnect the power adapter before a storm.

**⚠ WARNING! NEVER** modify the charger and/or power adapter. This may cause a fire hazard or electric shock.

**⚠ WARNING! NEVER** use deteriorated battery packs. They could cause a fire.

**CAUTION: DO NOT** reverse the DC power cable polarity. This could damage the charger.

**CAUTION: DO NOT** insert the transceiver with the battery pack into the charger if it is wet or soiled. This could corrode the battery charger terminals or damage the charger. The charger is not waterproof.

**CAUTION: DO NOT** expose the charger and the power adapter to rain, snow or any liquids.

**CAUTION: DO NOT** let metal, wire, and so on, touch any internal parts of the charger.

**CAUTION: DO NOT** use the charger or the power adapter when it is covered by objects that impede heat dispersal.

**CAUTION: DO NOT** charge the battery pack outside of the specified temperature range 15°C ~ 40°C (59°F ~ 104°F). Otherwise, the charging time will be longer, but the battery will not reach a full charge. While charging, at a point after the temperature goes out of the specified range, the charging will automatically stop.

**NOTE:** Occasionally observe the battery pack condition while charging. If any abnormal condition occurs, discontinue using the battery pack.

**NOTE:** Always place the charger in a secure place to avoid inadvertent use by unauthorized person.

**NOTE:** Keep the charger away from TV sets or radios to prevent interference.

**NOTE:** Make sure battery and charger contacts are always clean. Otherwise, battery packs may not be charged properly.

**NOTE:** When the charger is not in use, disconnect the power adapter from an AC outlet. The power adapter consumes power when connected to the AC outlet.

**NOTE:** If your battery packs seem to have no capacity even after being fully charged, completely discharge them, then fully charge them again. If they still do not retain a charge (or very little), a new battery packs must be purchased.

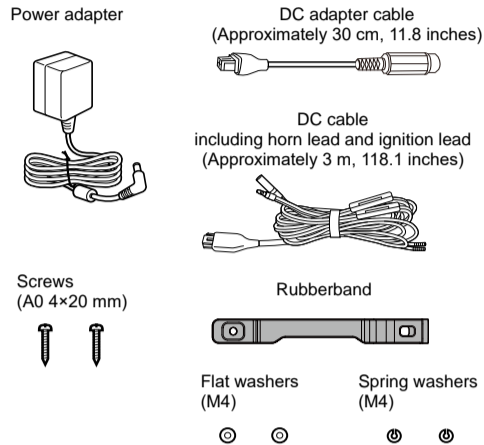
### ABOUT CE

**CE** Versions of the BC-247 which have the "CE" symbol on the product comply with the essential requirements of the 2014/30/EU directive for Electromagnetic Compatibility and the 2001/95/EC directive for General Product Safety.

### DISPOSAL

The crossed-out wheeled-bin symbol on your product, literature, or packaging reminds you that in the European Union, all electrical and electronic products, batteries, and accumulators (rechargeable batteries) must be taken to designated collection locations at the end of their working life. Do not dispose of these products as unsorted municipal waste. Dispose of them according to the laws in your area.

### SUPPLIED ACCESSORIES



**NOTE:** Some accessories are not supplied, or the shape is different, depending on the charger version.

### SPECIFICATIONS

**Dimensions:** 93 (W) × 203 (H) × 74.5 (D) mm, 3.7 (W) × 8 (H) × 2.9 (D) inches (projections not included)

**Weight:** Approximately 310 g, 10.9 oz

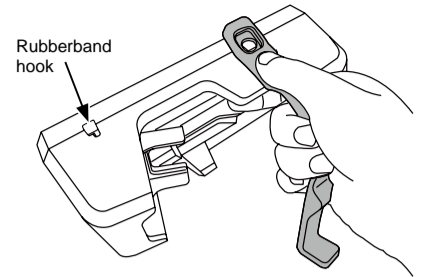
**Charging temperature range:** 15°C ~ 40°C, 59°F ~ 104°F

**Power supply requirement:** 9 ~ 32 V DC or the specified power adapter

### INSTALLING THE CHARGER

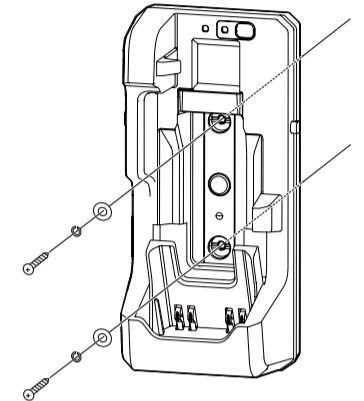
#### ◇ Attaching the rubberband

Attach the supplied rubberband before you mount the charger.  
❶ You can hang the other side of the rubberband to the hook when it is not used.

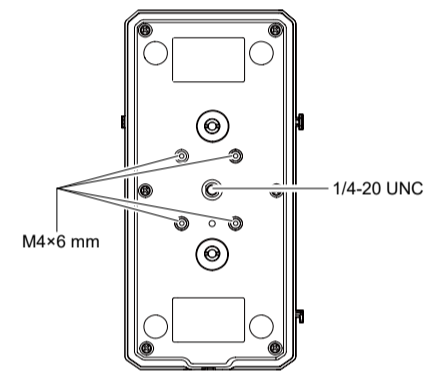


#### ◇ Mounting the charger

You can mount the charger to the wall using supplied washers and screws as shown below.



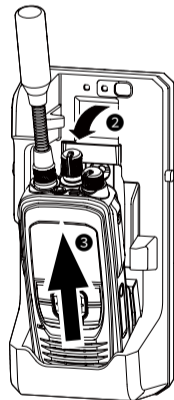
**TIP:** You can also attach a third party mounting base using screw holes\* on the charger's rear panel.  
\*AMPS hole pattern



- Removing:**
1. Remove the rubberband if the transceiver is secured.
  2. Grab and pull forward the transceiver, as shown below (❷).

**CAUTION: DO NOT** grab and pull the antenna. This could damage the antenna or transceiver.

3. Lift the transceiver from the holder (❸).



#### ◇ Charging

- Charging time\*1:**
- The Full charge function is ON: Approximately 3 hours for the BP-300
  - The Full charge function is OFF: Approximately 2.25 hours for the BP-300

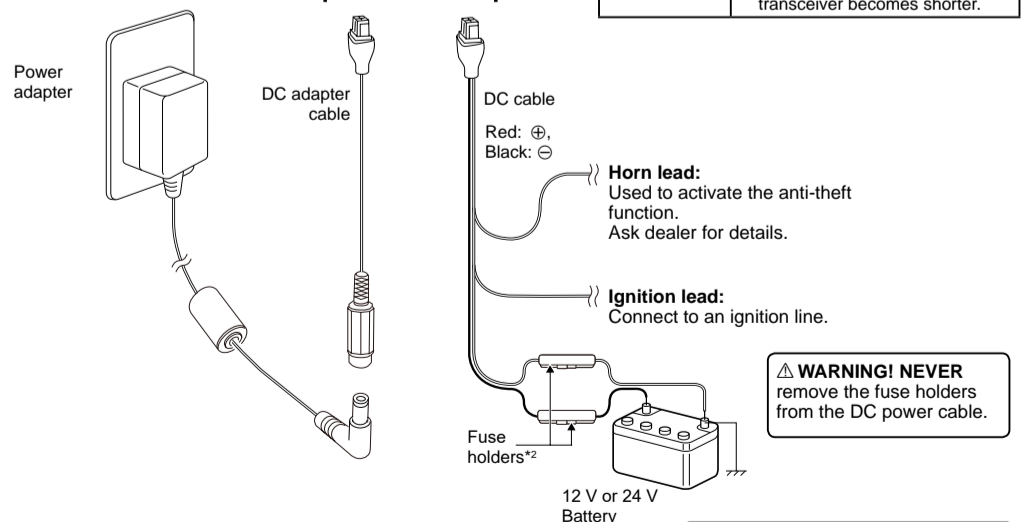
\*1When the transceiver is turned OFF.

**Charging indicator**  
Lights orange: Charging  
Lights green: Charged  
Lights red: When a charging error has occurred.

**NOTE:** If the charging indicator lights red, remove the transceiver with the battery pack from the charger, then reinsert it. If the charging indicator still lights red, ask your dealer for details.

**Full Charge switch:**  
Push to turn ON or OFF the Full charge function.

Status	Description
ON (The indicator lights)	The battery is fully charged. The operating time of the transceiver is maximum.
OFF	The battery is not fully charged to extend the battery life cycle. ❶ The battery life cycle is extended. But the operating time of the transceiver becomes shorter.



**⚠ WARNING! NEVER** remove the fuse holders from the DC power cable.

\*21.5 A fuses are installed in the supplied DC cable. If the fuse blows, or the charger stops functioning, track down the source of the problem, repair it, and replace the damaged fuse with a new one.

**NOTE:** Use the terminals as shown below for the cable connections.



